



# VISION.NET GATEWAY



The STRAND VISION.NET GATEWAY is an expandable network gateway for the Vision.Net network, designed to coordinate events between Vision.Net devices using a built-in astronomical clock and NTP server that ensures all devices work from a single timeclock. And because the Vision.Net Gateway is DIN rail mountable, integrators can easily install it in a variety of locations

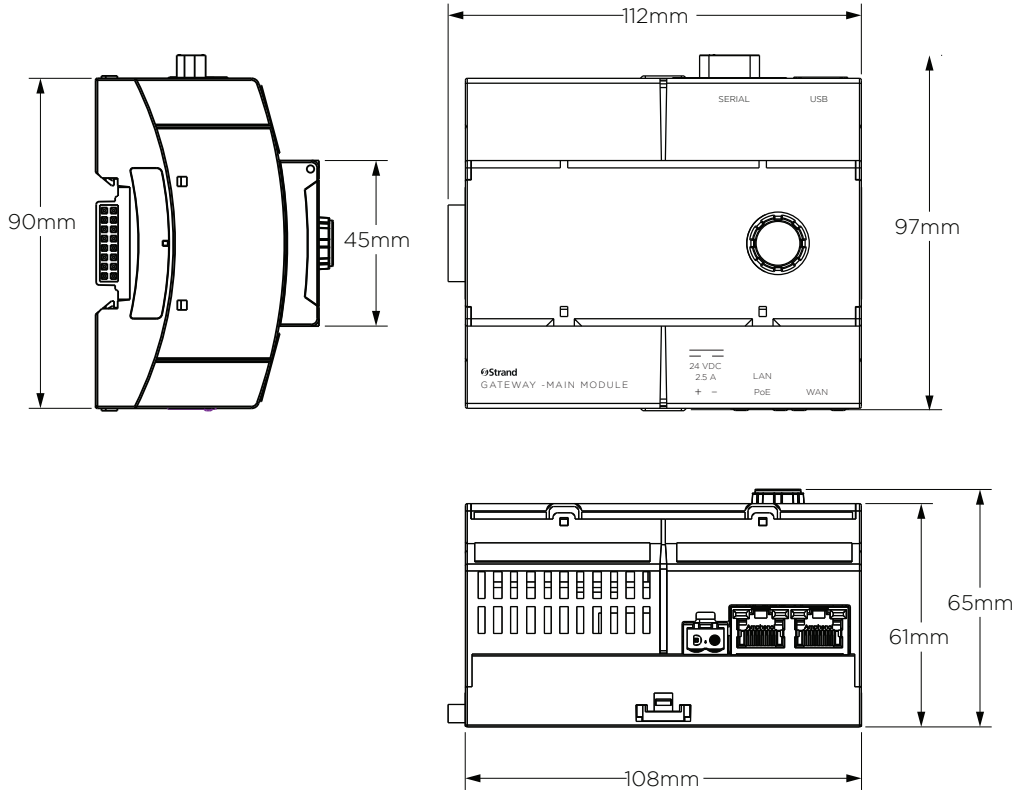
For simple control of the lighting system from a PC, tablet, or phone, the Vision.Net Gateway also offers the Gateway On-the-Go Interface for mobile-friendly web control. Users can connect to the Vision.Net Gateway from a web browser and access an HTML-based interface that can be easily designed using Designer for Vision.Net software. To streamline network commissioning of Vision.Net devices, the Gateway includes an onboard DHCP server that automates IP addressing.



# VISION.NET GATEWAY

## FEATURES AND BENEFITS

- **Astronomical Clock & NTP Server** - coordinate events between Vision.Net devices
- **Optional Vision.Net Interface Module** - connect hardwired Vision.Net devices to the Vision.Net network without connecting to a touchscreen or similar Vision.Net device
- **Gateway On-the-Go Interface** - connect a PC, tablet, or phone to control your Vision.Net system from a web browser
- **DIN Rail Mounting** - easily install in a variety of locations
- **DHCP Server** - removes the worry of network addressing by automating IP address assignment
- **LAN Connectivity** - future proofed platform for additional network-based functionality and services





# VISION.NET GATEWAY

POWER		
<b>Supply voltage</b>	24VDC	
<b>Source</b>	PoE or VDC In	
<b>Backup source</b>	Real-time clock CRTBD battery	
<b>Input current (max)</b>	2.5A at 24VDC	
<b>Wattage (max)</b>	60W	
<b>PoE</b>	up to 802.3 bt class 7-8	

DATA		
<b>Interface</b>	1.8" color LCD with pushbutton rotary knob	
<b>Connections</b>	2 x USB 2.0 host 1 x 10-100 Ethernet WAN 1 x 10-100 LAN, RS232, Power In, Module Interface	

PHYSICALS		
<b>Finish</b>	As molded RAL 7035 light grey	
<b>Construction</b>	Polycarbonate	
<b>Mounting</b>	Standard 35mm DIN rail	

ENVIRONMENT	°C	°F
<b>Operating temp</b>	0-45	32-113

DIMENSIONS	mm	in
<b>H x W x D</b>	90 x 108 x 61	3.54 x 4.25 x 2.4

WEIGHT	kg	lb
<b>Net weight</b>	0.27	0.59

WARRANTY AND APPROBATIONS	
<b>Warranty</b>	2 year limited
<b>Approvals / listings</b>	Conforms to EN60950, EMC: EN55032, CISPR 32



# VISION.NET GATEWAY

<b>PRODUCT NAME</b>	<b>ORDER CODE</b>
Vision.net Gateway DIN rail system module	<b>65710</b>
<b>PoE APPROVED POWER SUPPLIES</b>	
Planet Technology	<b>PoE-171A-60</b>
Planet Technology	<b>PoE-173</b>
Phihong	<b>POE60U-1BT</b>
Phihong	<b>POE90U-BT (Fully compliant)</b>
<b>24V APPROVED POWER SUPPLIES</b>	
Meanwell	<b>MDR-60-24</b>
WAGO	<b>787-712</b>

©2019 Signify Holding. All rights reserved.

All trademarks are owned by Signify Holding or their respective owners. The information provided herein is subject to change, without notice. Signify does not give any representation or warranty as to the accuracy or completeness of the information included herein and shall not be liable for any action in reliance thereon. The information presented in this document is not intended as any commercial offer and does not form part of any quotation or contract, unless otherwise agreed by Signify. Data subject to change.

Ref: 65710-100-00